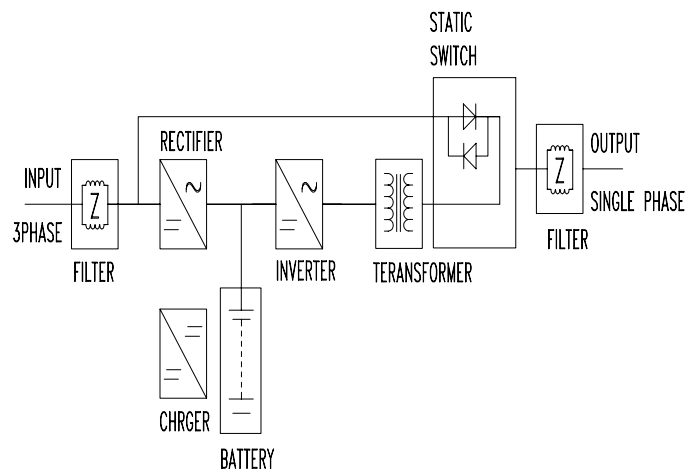


UPS های سری C ساخت شرکت طیف آسا از 6KVA تا 30KVA سه فاز به تکفاز
On-Line Double Conversion UPS 3KVA up to 30KVA

CNC () UPS
 UPS ()
 Stand () UPS) On-Line Double Conversion
 by
 Transfer Time
 ()
 6KVA



مشخصات فنی UPS های سری On-Line Double Conversion C

Double Conversion

On-Line ❖



❖ True On-Line Double Conversion Design

UPS

LCD

❖

❖ LCD Display Front Panel

CPU

❖

❖ Double CPU Control

❖

❖ Microprocessor Controlled

❖

❖ Generator Compatible

RS232

❖

❖ Smart RS232 Communication Port

20 KHZ

IGBT

❖

❖ IGBT Design For 20KHZ SPWM high Frequency Inverter

❖

❖ Smart Fan Speed Control

❖

❖ Zero Transfer Time



UPS هاي سري C سينوسي كامل ساخت طيف آسا

TECHNICAL SPECIFICATION

Rated Power in (KVA)	6	10	15	20	30
----------------------	---	----	----	----	----

INPUT DATA

Voltage	380/ 400/ 415 V+N 3Phase+N
Voltage Tolerance	+ - 20% at full load
Frequency	50 / 60 HZ
Frequency Range	+ - 10%
Power factor	>= 0.99

OUTPUT DATA

Voltage	220/230/240 V+N 1Phase+N
Voltage Tolerance	+ - 1% (static), + -5% dynamic at 100% load change
Frequency	50/60HZ
Frequency tolerance	+ - 1% (Auto-synchronized), + -1%(Synchronized with the mains)
Power factor	0.7
Total harmonic distortion(THD)	<2% (At Linear load) , <5% (non-linear load)
Load crest factor	3:1
Overload	125% rated load for 15 min . 150% rated load for 1 min .

GENERAL DATA

Topology	on-line , Double conversion with SWPM controlled IGBT rectifier and inverter
Control	Microcontroller
Type of Protection	IP20
Standards	EN 50091-1/EN 62040-1 (safety), EN 50091-2 / EN 62040-2(EMC)
Efficiency	>91% (On-line mode) ¹
Static and Maintenance By-pass	Standard

MONITORING AND CONTROL DATA

Power Management Display (PMD)	LCD Screen , Mimic diagram
Communication Port (Smart Port)	RS232
Communication Port (Dry Port)	Free Contacts
Control and Monitoring Software	EPC (Enel Power Controller) , SNMP Universe Software

PHYSICAL DATA

Ambient Temperature	0° C - 40°C
Relative Humidity	0%-95% (noncondensing)
Noise Level <dB(A)(1m)	<55
Operation Altitude (m)	2000m
Color	RAL 7012

Dimension

Without Battery (WxHxD) mm	370x650x710	630x570x1650
Weight Without Battery (kg)	124	134
	280	330
	370	